

Project:	
Type:	
Catalog #:	

Options:
 -EM = Battery Backup
 -MS = Motion Sensor



SUFFIX -DS = DARK SKY (3000K)



HOUSING

- Premium powder-coat, die cast aluminum, Bronze housing.
- Wall mounting kit.

ELECTRICAL

- Operating temperature (ambient): -40°C to 50°C (-40°F to 122°F) .
- Universal 120-277 AC voltage (50-60Hz) is standard.
- 0-10V DC dimming drivers are standard.
- Integrated photocell is standard. Photocell can be enabled or disabled by switch.
- Input transient surge protection = 6kV.
- PF > 0.9; THD < 20%.

OPTICAL SYSTEM

- KAYMAR vandal-resistant PC SC lens.
- Field selectable 3000K (warm white), 4000K (neutral white) and 5000K (cool white) color temperatures.*
- DSWPFCSR-9865L-SC provides a range of 4,815 to 9,010 nominal lumens
- DSWPFCSR-17151310L-SC provides 9,337 to 17,186 nominal lumens. Long-life
- LEDs provide 167,000 hours of operation with at least 70% of initial lumen output (L70), and 51,000 hours with 90% of initial lumen output (L90).**
- Screw in sensor ready. Occupancy sensor and remote control sold separately. Remote control required to change factory sensor settings.
- LED chromaticity based on < 6-step ANSI quadrangles.
- LED color maintenance < -0.0034 chromaticity shift ($\Delta u'v'$) over the initial 6,000 hours of operation.
- Color Rendering Index > 80.

STAR-LITE DARK SKY Series*

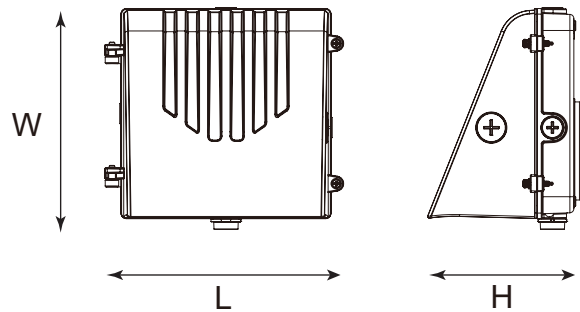
CODE COMPLIANCE

- cULus listed for wet locations.
- DLC premium listed
- Complies with FCC Part 15, class A.
- IP65 rated for ingress protection.
- IK08 rated for impact protection.
- * IDA DARK SKY Certified in 3000K



WARRANTY

- 5 year warranty on all electronics and housing.



Model #	L (in)	W (in)	H (in)	Weight (lbs)
DSWPFCSR-9865L-SC	10.06	8.86	6.25	3.98
DSWPFCSR-17151310L-SC	14.49	9.25	6.44	5.97

* Kelvin Temperature to be 3000K per IDA Dark Sky Standards
 ** L70 & L90 hours are IES TM-21-11 calculated hours.

STAR-LITE MODELS # DSWPFCSR-9865L-SC or DSWPFCSR-17151310L-SC

SKU	Nominal Lumen Output (selectable)		Kelvin (selectable)		Installed Options
	DSWPFCSR...SC	9865L	9,000/ 8,000/ 6,000/ 5,000 lm	3CCT 3000K	
17151310L		17,000/ 15,000/ 13,000/ 10,000 lm			

ACCESSORIES (ORDER SEPARATELY)

Sensor

HD07VR-PHF-1	=	Passive infrared sensor - maximum mounting height = 39 FT
HD07VR-MHF-1	=	Microwave step-dimming sensor - maximum mounting height = 49 FT
HD05R	=	Remote control for HD07VR and HD09VR series Sensors (required to change factory settings)

Factory settings for Sensor : detection area =100%, hold time = 5 sec, stand-by period = 0 sec, stand-by dimming level = 10%, daylight threshold = disabled

COMPATIBLE DIMMERS AND CONTROLS

Manufacturer	Model Number	Dimmer Range	Load Switching Capacity
Best Lighting	DWS-010V-T	10%-100%	600W
Best Lighting	DWS-010V-D	10%-100%	600W
Leviton	IP710-LFZ	10%-100%	1200W
Lutron	DVSTV	10%-100%	450W

COMPATIBLE EMERGENCY DRIVERS-INSTALLED*

Emergency Driver Part Number	EM4		EM8	
	Watts	EM Lumens	Watts	EM Lumens
DSWPFCRSR-9865L-SC	4	630	8	1260
DSWPFCRSR-17151310L-SC	4	634	8	1269

* EM Lumens based on factory setting of 4000K CCT and highest power setting.

LUMEN TABLES

Series	Measurements	30W			40W			50W			60W		
		3000K	4000K	5000K	3000K	4000K	5000K	3000K	4000K	5000K	3000K	4000K	5000K
DSWPFCSR-9865L-SC	Lumens	4,815	5,015	5,024	6,034	6,295	6,308	7,644	8,042	8,000	8,529	9,010	8,916
	Watts	31.28	30.56	31.23	39.87	38.98	39.81	52.02	50.55	51.98	59.13	57.22	58.95
	Efficacy	153.93	164.10	160.87	151.34	161.49	158.45	146.94	159.09	153.91	144.24	157.46	151.25

Series	Measurements	60W			80W			100W			120W		
		3000K	4000K	5000K	3000K	4000K	5000K	3000K	4000K	5000K	3000K	4000K	5000K
DSWPFCSR-17151310L-SC	Lumens	9,337	9,638	9,740	12,067	12,561	12,586	14,370	15,090	15,010	16,282	17,186	16,980
	Watts	59.62	58.48	59.54	78.87	77.01	78.78	96.32	93.79	96.27	111.81	108.36	111.5
	Efficacy	156.61	164.81	163.59	153.00	163.11	159.76	149.19	160.89	155.92	145.62	158.60	152.29

ELECTRICAL DATA

Series	CCT	Input Amps (A)											
		30W			40W			50W			60W		
		120V	240V	277V	120V	240V	277V	120V	240V	277V	120V	240V	277V
DSWPFCSR-9865L-SC	3000K	0.26	0.13	0.11	0.33	0.17	0.14	0.43	0.22	0.19	0.49	0.25	0.21
	4000K	0.25	0.13	0.11	0.32	0.16	0.14	0.42	0.21	0.18	0.48	0.24	0.21
	5000K	0.26	0.13	0.11	0.33	0.17	0.14	0.43	0.22	0.19	0.49	0.25	0.21

Series	CCT	Input Amps (A)											
		60W			80W			100W			120W		
		120V	240V	277V	120V	240V	277V	120V	240V	277V	120V	240V	277V
DSWPFCSR-17151310L-SC	3000K	0.50	0.25	0.22	0.66	0.33	0.28	0.80	0.40	0.35	0.93	0.47	0.40
	4000K	0.49	0.24	0.21	0.64	0.32	0.28	0.78	0.39	0.34	0.90	0.45	0.39
	5000K	0.50	0.25	0.21	0.66	0.33	0.28	0.80	0.40	0.35	0.93	0.46	0.40

PHOTOMETRICS

DSWPFCSR-9865L-SC

Luminaire Data

Description	Full Cut Off Wall Pack Field Selectable
Total Lumens	9,010
Input Wattage	57
Efficacy (lm/W)	157
Max. Cd.	3709.5 (360H, 25V)
IES Classification	Type III
Longitudinal Classification	Very Short

Zonal Lumen Summary

Zone	Lumens	%Fixt
0-30°	2,496	27.7%
0-60°	7,392	82.0%
0-80°	8,939	99.2%
80-90°	71	0.8%*
0-90°	9,010	100.0%
90-110°	0	0.0%
110-180°	0	0.0%
0-180°	9,010	100.0%

Luminaire Classification Systems (LCS)

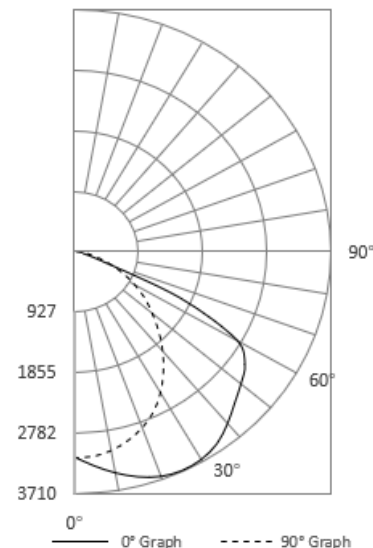
LCS Zone	Lumens	%Lum
FL 0-30	1,398	15.5%
FM 30-60	3,162	35.1%
FH 60-80	1,173	13.0%
FVH 80-90	46	0.5%
BL 0-30	1,099	12.2%
BM 30-60	1,734	19.2%
BH 60-80	374	4.1%
BVH 80-90	25	0.3%
UL 90-100	0	0.0%
UH 100-180	0	0.0%
Total	9,010	100.0%

BUG Rating B3-U0-G1

Photometrics calculated @4000k, and highest lumen setting

* 80-90° glare zone is calculated by dividing the lumens in that zone by the lumen total in the 0-90° zone

180° Polar Graph



DSWPFCSR-17151310L-SC

Luminaire Data

Description	Full Cut Off Wall Pack Field Selectable
Total Lumens	17,186
Input Wattage	108
Efficacy (lm/W)	159
Max. Cd.	6670 (360H, 28V)
IES Classification	Type III
Longitudinal Classification	Very Short

Zonal Lumen Summary

Zone	Lumens	%Fixt
0-30°	4,624	26.9%
0-60°	13,815	80.4%
0-80°	16,988	98.8%
80-90°	198	1.2%*
0-90°	17,186	100.0%
90-110°	0	0.0%
110-180°	0	0.0%
0-180°	17,186	100.0%

Luminaire Classification Systems (LCS)

LCS Zone	Lumens	%Lum
FL 0-30	2,516	14.6%
FM 30-60	5,734	33.4%
FH 60-80	2,374	13.8%
FVH 80-90	141	0.8%
BL 0-30	2,108	12.3%
BM 30-60	3,457	20.1%
BH 60-80	799	4.6%
BVH 80-90	57	0.3%
UL 90-100	0	0.0%
UH 100-180	0	0.0%
Total	17,186	100.0%

BUG Rating B3-U0-G2

Photometric calculated at 4000k, and highest lumen output

* 80-90° glare zone is calculated by dividing the lumens in that zone by the lumen total in the 0-90° zone

180° Polar Graph

